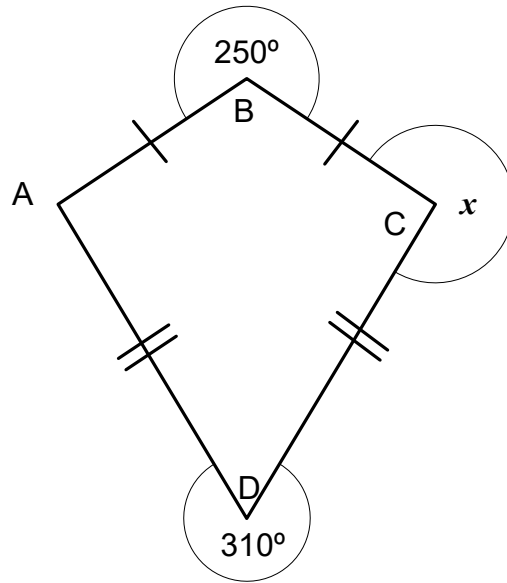


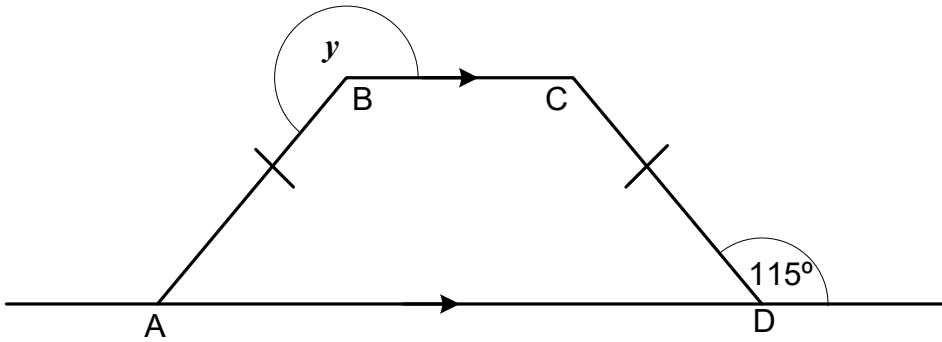


### Angles in Quadrilaterals

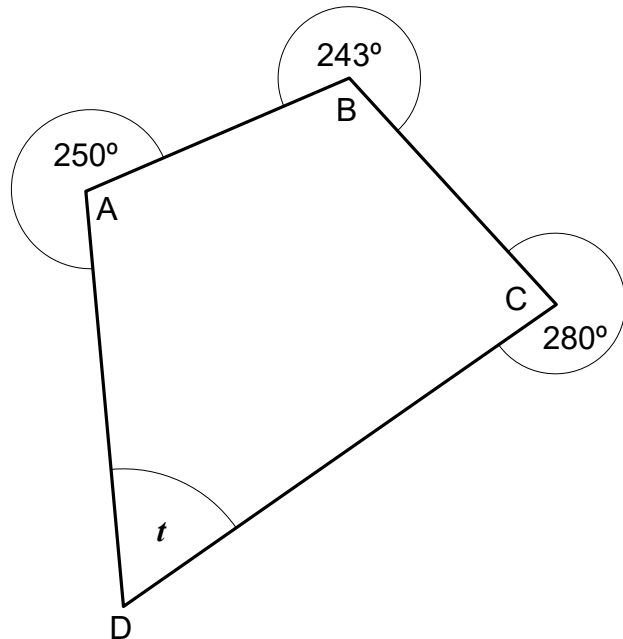
1. ABCD is a kite.  
Find the size of  $x$ .



2. ABCD is a quadrilateral.  
Find the size of angle  $y$ .

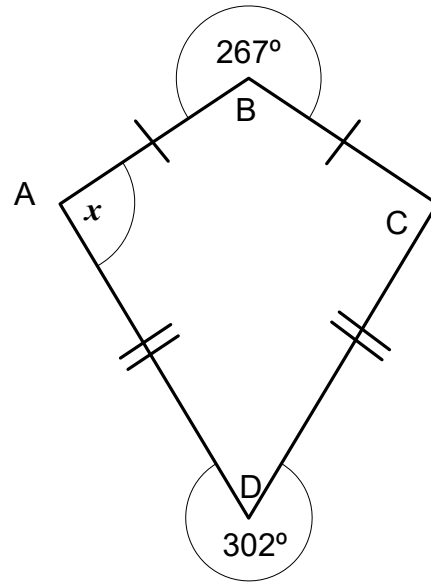


3. ABCD is an irregular quadrilateral.  
Find the size of angle  $t$ .

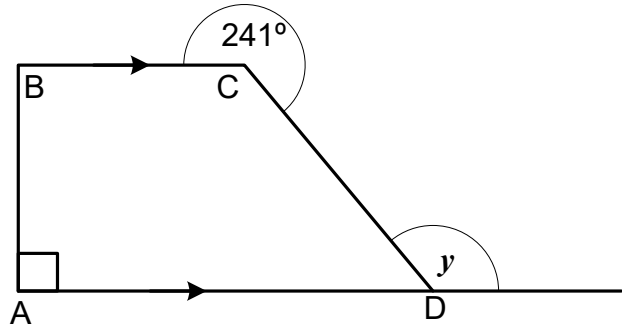




- 4 ABCD is a kite.  
Find the size of angle  $x$ .



- 5 ABCD is a quadrilateral.  
Find the size of angle  $y$ .



- 6 ABCD is an irregular quadrilateral.  
Find the size of angle  $k$ .

